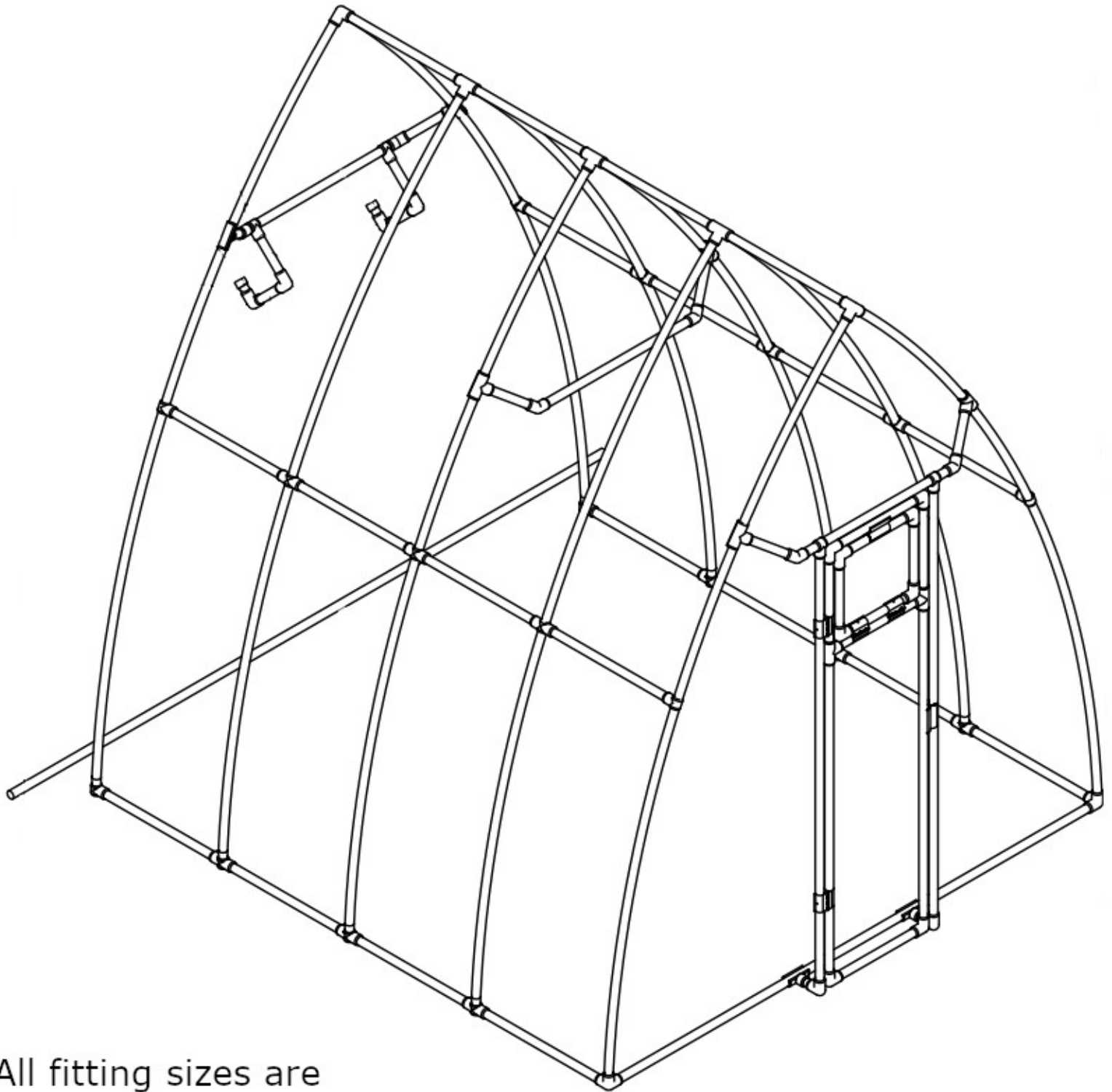


Gothic Arch Greenhouse

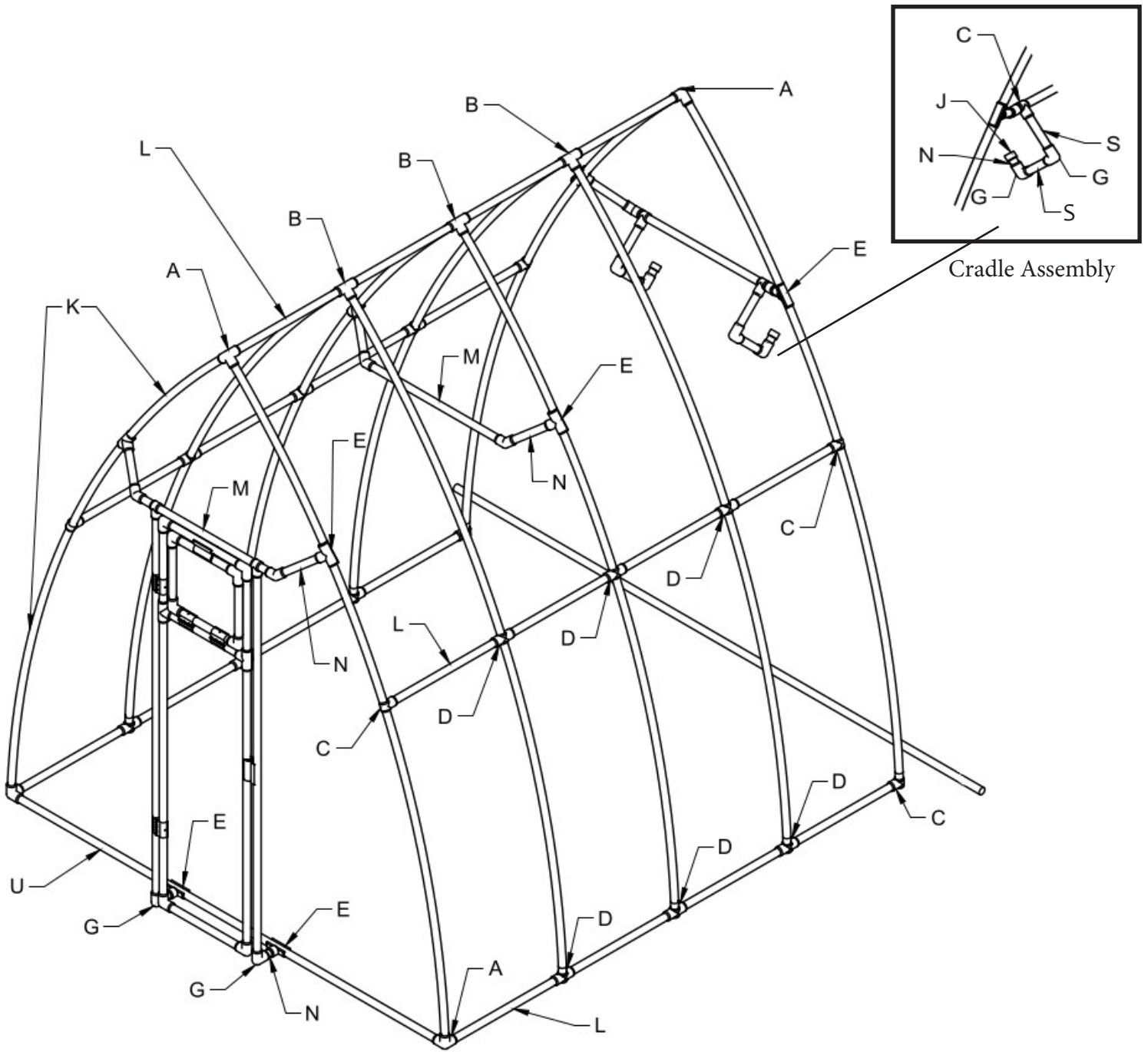


All fitting sizes are based on 1" Schedule 40 PVC pipe.

Total pipe needed: 212.5 ft.

Finished Size: 8' x 8' x 9' peak

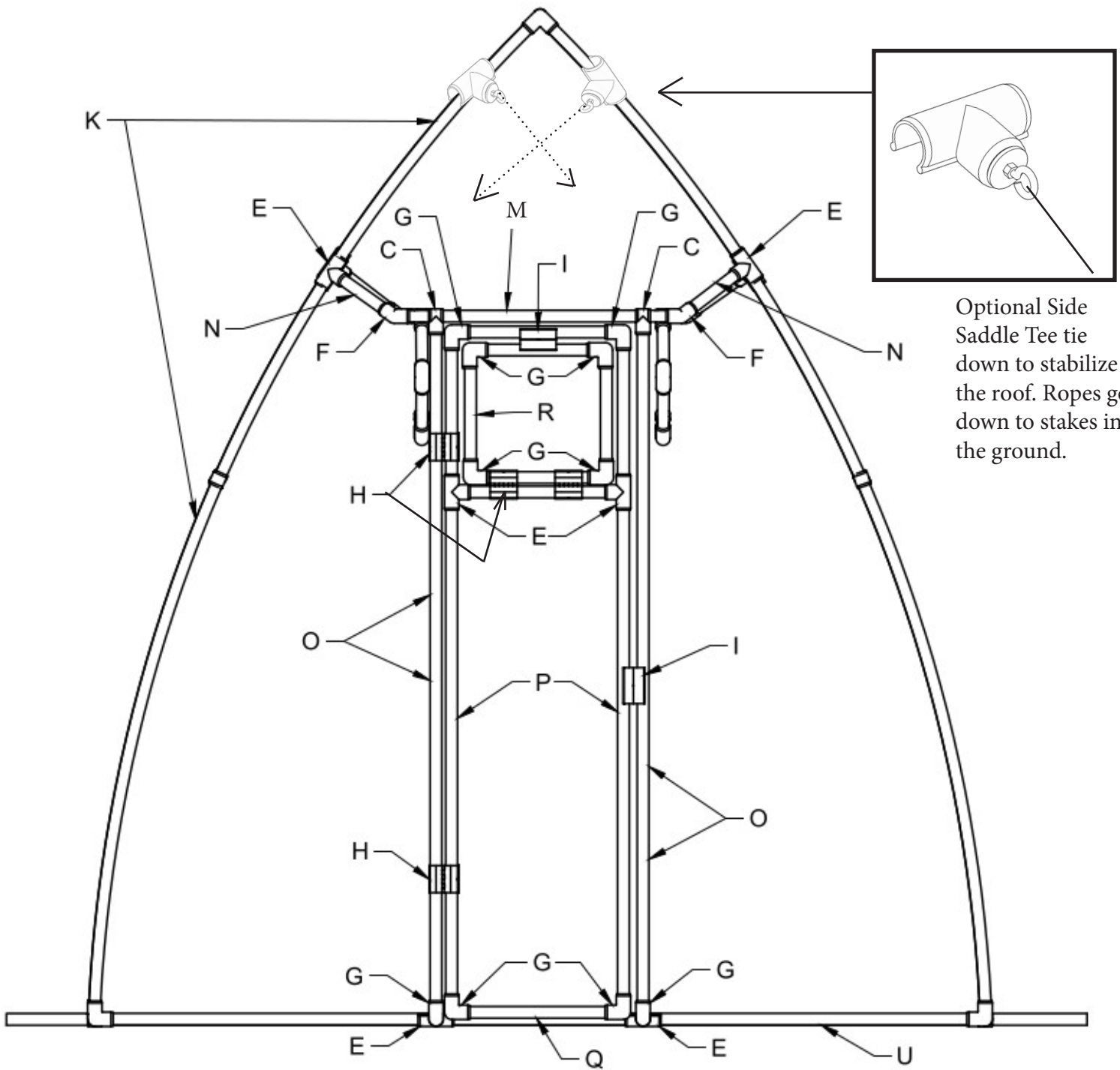
Plans by Circo



PVC Fittings Needed:

	QTY.	DESCRIPTION	ITEM #
A	4	3-WAY L	#33-F
B	3	4-WAY LT	#43-F
C	10	Slip Tee	#63-U
D	12	Slip Cross	#133-F Slip
E	10	Side Saddle Tee	#353
F	6	45° ELL	#143-F
G	14	90° ELL	#113-F

	QTY.	DESCRIPTION	ITEM #
H	4	1" Snap Hinge	#253
I	2	Snap Cross	#263
J	2	Cap	#163-F
	12	Stake/Anchor	
	80	Self Taping Screws	
	100	1" Snap Clamp	#13

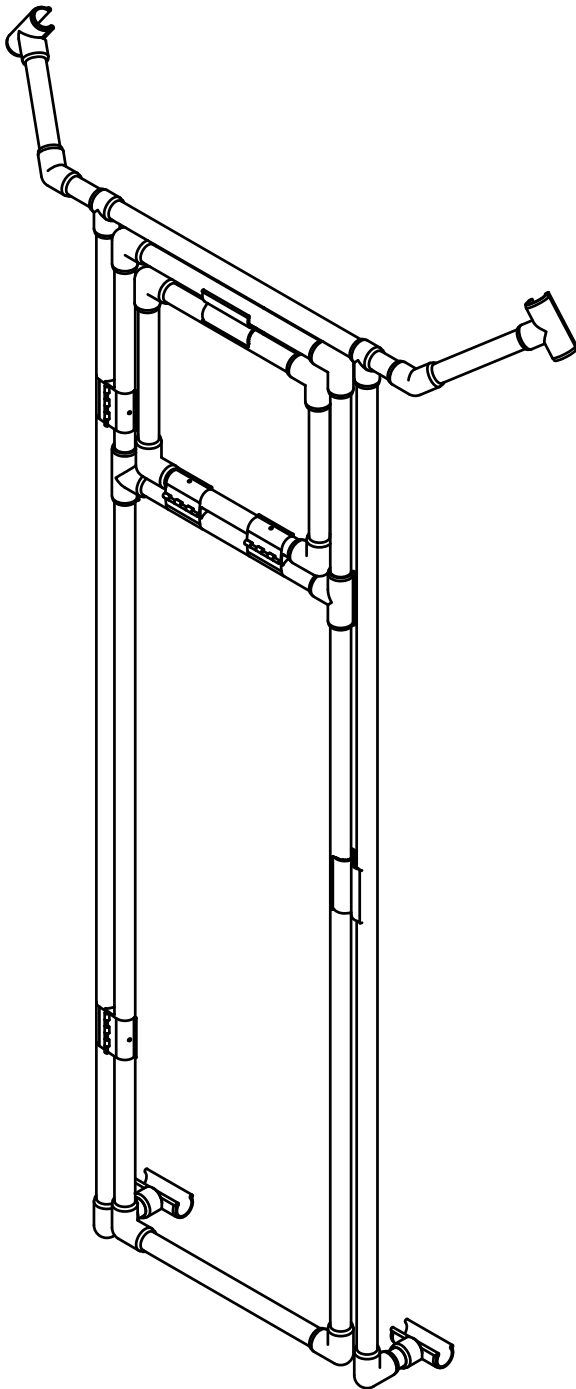


Optional Side Saddle Tee tie down to stabilize the roof. Ropes go down to stakes in the ground.

PVC Pipe Needed, see below: *please note* drawing not to scale. Pay attention to the actual length given below.

	QTY.	Length		P	2	74 in.
K	11	10 ft.		Q	3	22 in.
L	20	2 ft.		R	4	18 in.
M	3	31 in.		S	4	8 in.
N	10	3 in.		U	1	8 ft.
O	2	76 in.				

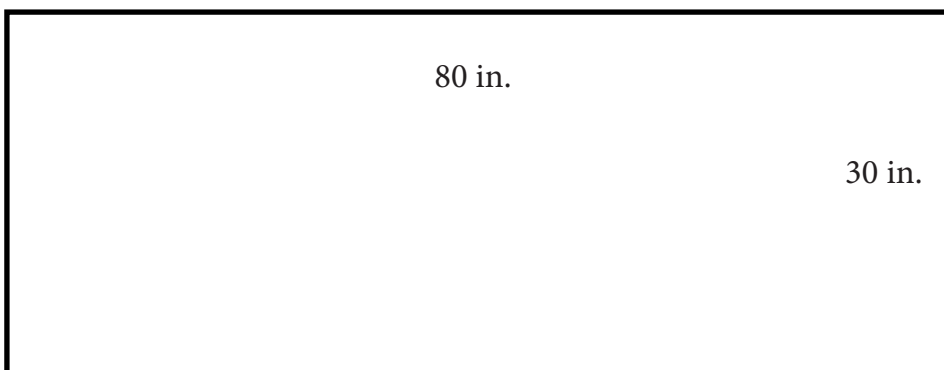
This plan consists of an entryway door as seen in the picture. The rear of the greenhouse is made to be completely rolled up using an extra length of PVC pipe. Please see the following instructions on how to build the door.



The door frame is built at an angle as you can see the door frame protrudes out away from the frame of the house. To hang the door you will have already built the door frame onto the house by using the provided slip tees to drop 2 of the 76" pipes down to the ground. Next, use an elbow and side-saddle to attach that door frame to the lower perimeter of the end-wall.

Once you have the door frame built you can then build and hang the door itself.

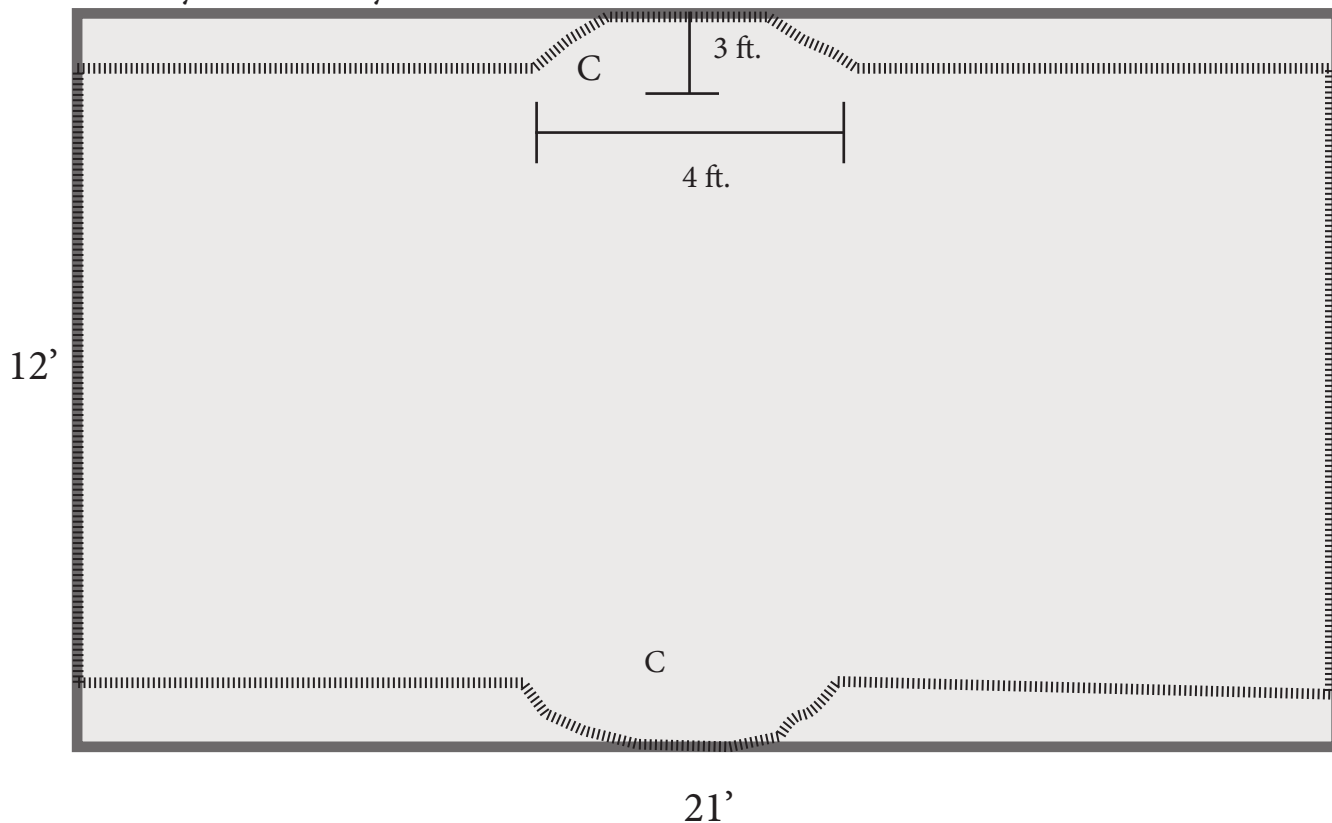
- 1.) You will need to start with 4 of the elbows (#113-F) provided to make the basic structure of the door. The vertical pipe are the 74 inch lengths of pipe (List #P). The horizontal top, bottom and middle bars are the 22 inch length pipes (List #Q).
- 2.) This basic structure will allow you to then attach the window using the aluminum snap hinges and Snap Cross (List #I).
- 3.) Before you hang your door, lay the frame down on your plastic film to trace out the door and clamp your plastic to your door using Snap Clamps (#. You should need a piece of plastic roughly 80 inches long by 30 inches wide to cover the door and the window.
- 4.) Once you Snap Clamp the plastic tightly onto your door then you can cut in the window. Next, hang the door. Make sure you give yourself enough room on the bottom so that the door swings freely. You will want to use the self-tapping screws to permanently attach the hinges to the pipe.



Door/Window Plastic:
Cut this portion out and cover the door first. 80 inches tall by 30 inches wide. Once you have the plastic Snap Clamped onto the door you can cut out for the window. Make sure and leave room for clamps when cutting.

Plastic Sheeting: Roof cover

(A) 21 ft. long x 12 ft. wide. The dotted line cutout is the shape needed to cover the top as well as the eaves of the greenhouse. Not drawn to scale. Each bubble section is the material needed to cover the eaves (C). These are designed to be a section that hangs down 3 ft. from the peak and is 4 ft. wide. This will give you enough slack to then tri-fold the extra as you button up the eave with Snap Clamps. Please Note: The extra width of 12' will give you enough extra plastic on one side to close in the spaces next to your doorway.



Plastic Sheeting: Rear Cover

(B) 4 ft. wide x 9 ft wide x 7.5 ft. tall. This is the rear section of the greenhouse that is designed to be rolled up.

